

BILL HAMILTON'S WHEATEN WHELPING BOX

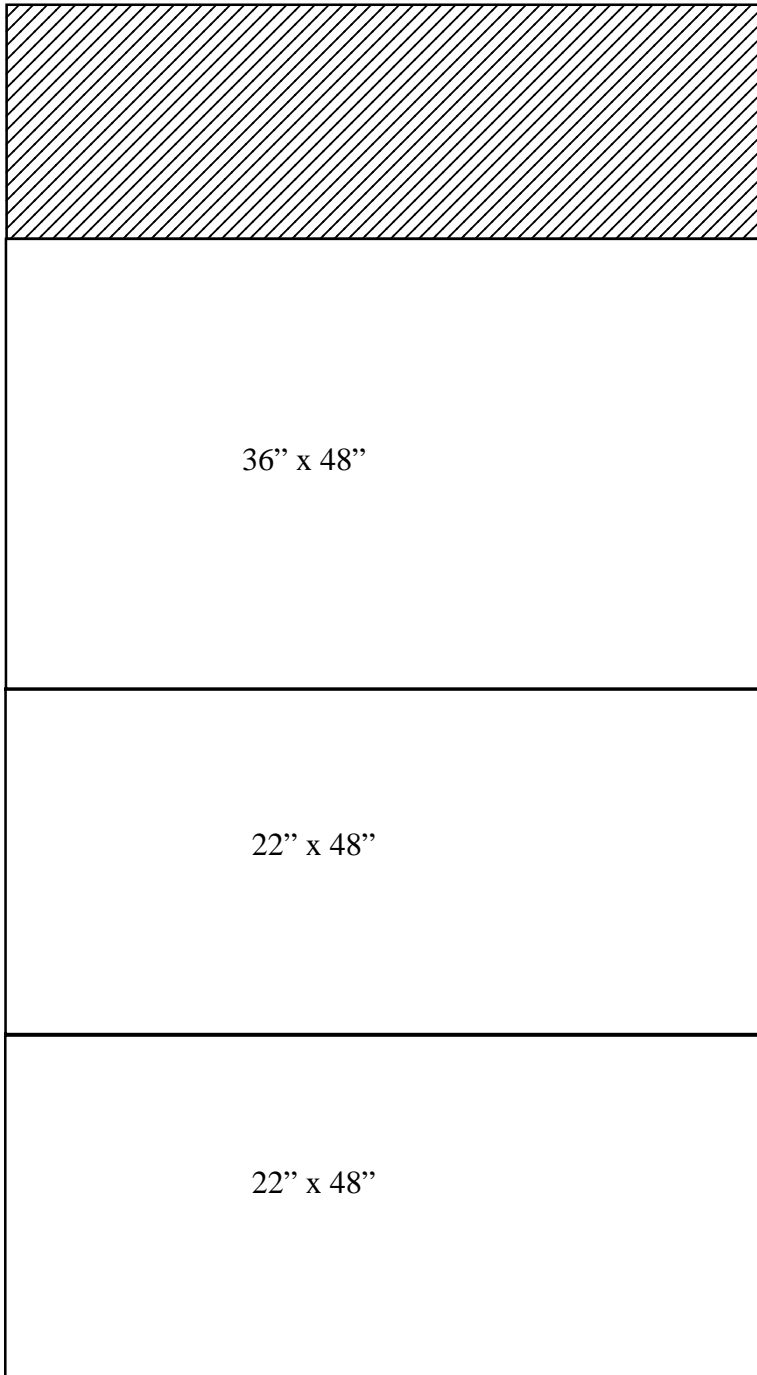
MATERIAL REQUIRED:

- 4' x 8' sheet of 5/8" thick particle Board or Plywood Cut as Shown
- 2 pieces of 5/8" thick particle Board or Plywood 22" x 40 3/4"
- 2 pieces of hardwood dowel 36" long x 1 3/8" dia or 1 1/2" dia
- 2 pieces of hardwood dowel 48" long x 1 3/8" dia or 1 1/2" dia
- 3/4" x 2" Pine strip, 2 pieces 48" long, 2 pieces 32" long
- 24 wood screws, 1 1/4" long - #8 or #10 - flat head
- 16 wood screws, 1 3/4" long - #10 or #12 - flat head
- 3/4" quarter round moulding x 15' long, 2 pieces approximately 4', 2 pieces approximately 3' long
- 1" finishing nails
- 2" x 2" x 8' pine
- Urethane vinyl

Note: The above does not include Lamp Post or Bench.

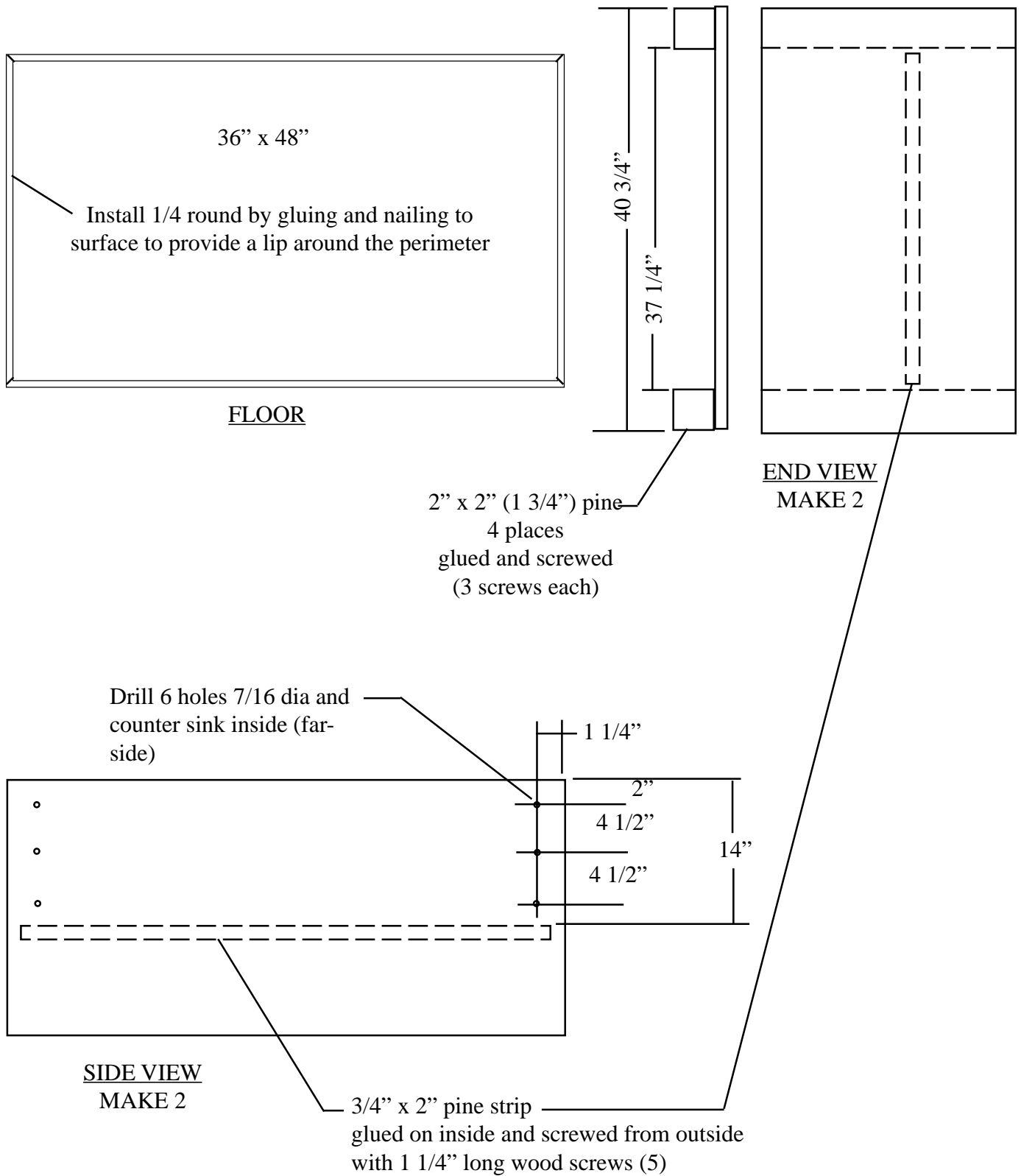
A Bench of some sort is required for the mother to use when jumping in and out of the box. It is usually about the same height as the floor of the whelping box

All exposed wood should have three coats of Urethane vinyl upon completion.



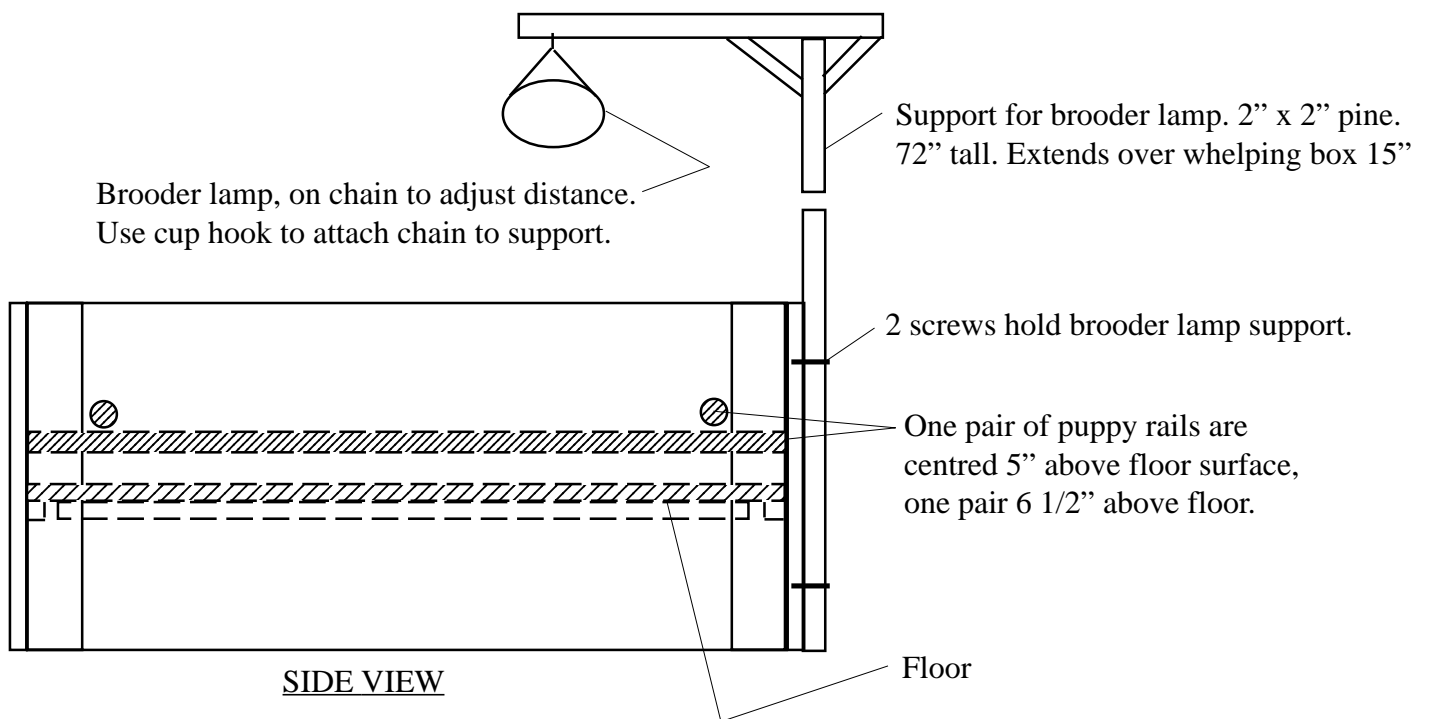
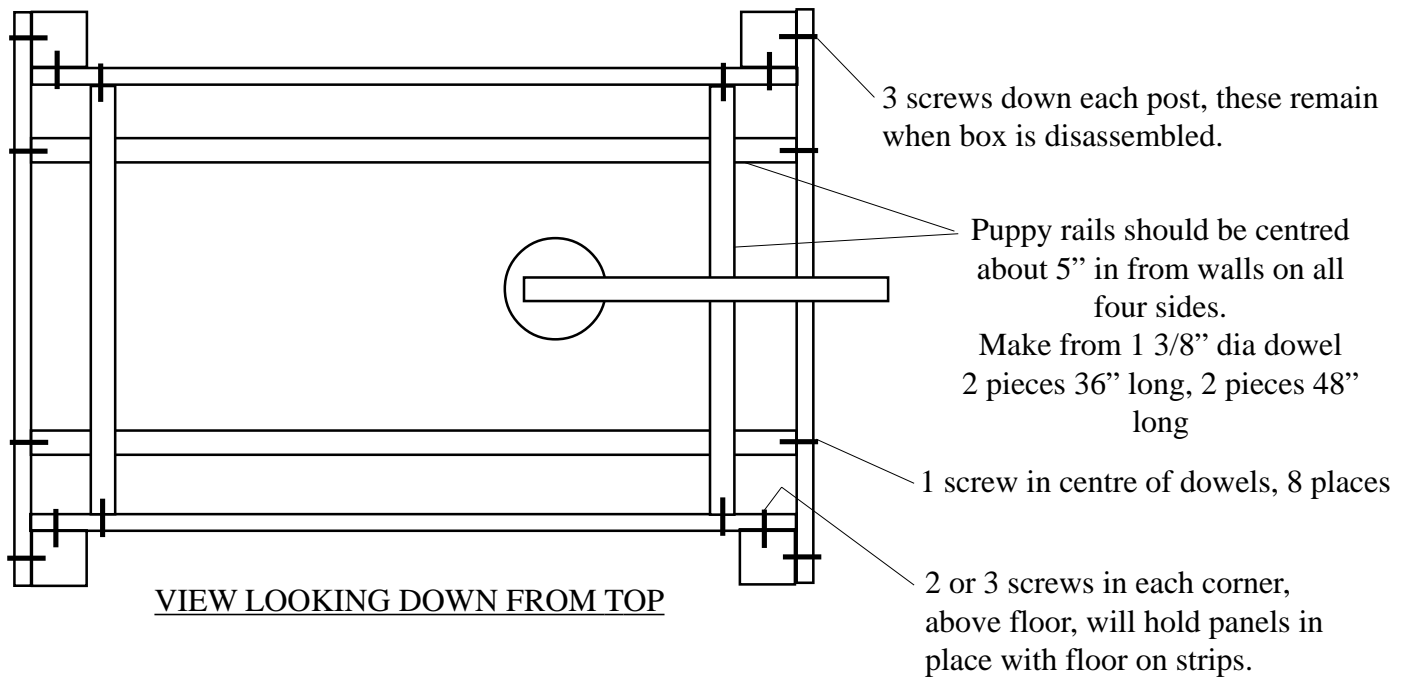
THIS DRAWING IS NOT TO SCALE

BILL HAMILTON'S WHEATEN WHELPING BOX



THIS DRAWING IS NOT TO SCALE

BILL HAMILTON'S WHEATEN WHELPING BOX



THIS DRAWING IS NOT TO SCALE